

AIR HANDLING UNITS



39HQ

Air flow 5000-130000 m³/h

Airovision is a modular construction that can be fully customised to provide the required performance for any application.

Special new casings encompass only high-quality components, including filters, heat recovery systems, fan assemblies, cooling and heating coils, humidifiers and attenuators.

The Airovision range also pays special attention to air quality and reduction of the energy required to cool, heat, humidify and supply the conditioned air.

Airovision is available in a large selection of sizes and arrangements, suitable for many different applications.



Controls (Option)

AIROVISION



www.eurovent-certification.com

OPTIONS

- 100% stainless steel
- Direct-drive fans
- All types of humidification systems, including infrasonic
- Flat pack option for site assembly
- Heat recovery systems (run-around coil, plate heat exchanger and thermal wheels)
- Wide selection of standard accessories
- 316L stainless steel drain pan with PVC wall lining in the outside air inlet section and filter section
- Plug fan EC motors
- Pro-Dialog controller with human interface (local or remote installation)

FEATURES AND ADVANTAGES

- Airovision is a modular construction that can be fully customised to provide the required performance for any application.
- Special new casings encompass only high-quality components, including filters, heat recovery systems, fan assemblies, cooling and heating coils, humidifiers and attenuators.
- The Airovision range also pays special attention to air quality and reduction of the energy required to cool, heat, humidify and supply the conditioned air.
- Airovision is available in a large selection of sizes and arrangements, suitable for many different applications.
- Applications include leisure and event complexes, theatres, museums, libraries, offices in companies and government institutions, shopping centers, super-markets, department stores and educational establishments, as well as oil drilling rigs, airports and cruise ships.
- In addition Airovision is also ideal in health care and in industries with stringent hygiene requirements.

Environmentally sound

- No paint treatment required after the production process
- 100% recyclable components
- Low energy usage due to optimised component selection
- High-efficiency heat recovery systems available

Technical specification (in accordance with EN1886)

- Heat transfer factor class T2
- Thermal bridging factor TB 2
- Air tightness class B (L2)
- Mechanical strength class 1A (DI)
- Filter bypass leakage
 - class F7 for standard slide-in construction
 - class F9 for special slide-in construction
 - class F9 for built-in construction

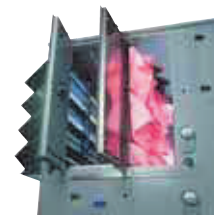
High-efficiency centrifugal fan



Special sorption heat recovery wheels



Filters are easily removable



Generously sized access doors



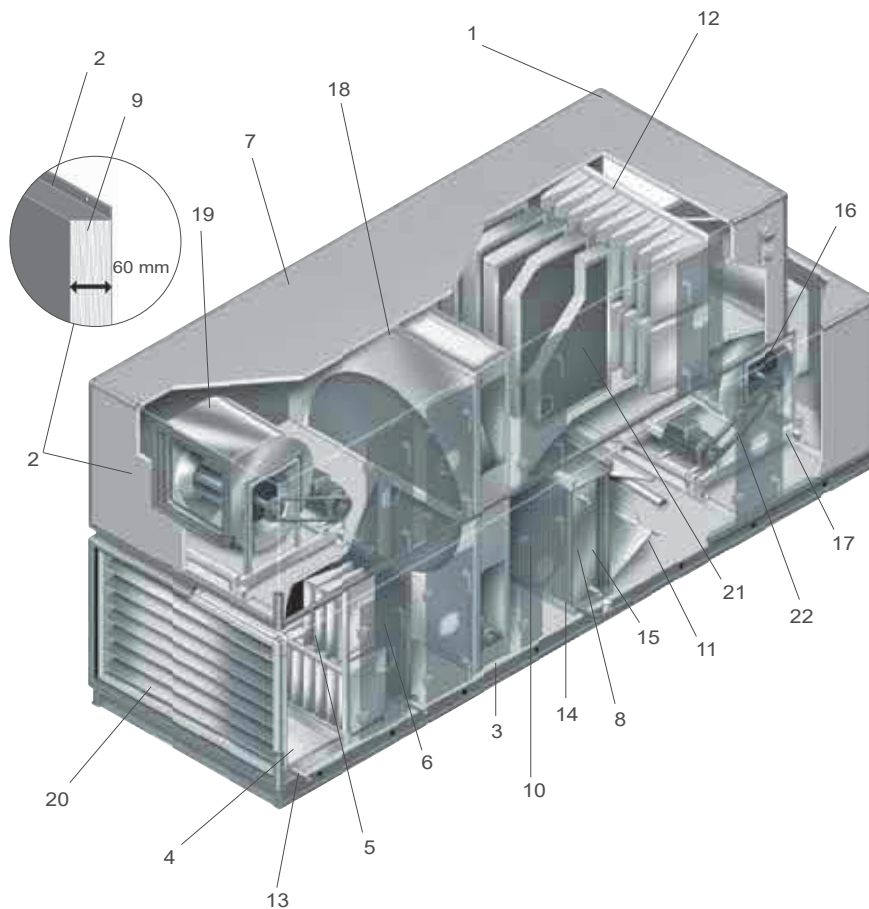
FEATURES AND ADVANTAGES

Rigid construction

- 1 Carrier profiled steel frame construction with purpose-built corner and center posts
- 2 Panels with 60 mm thick thermal insulation
- 3 Robust base frame made of galvanised steel box profile

High corrosion resistance

- 4 316L stainless steel drain pan with PVC wall lining in the outside air inlet section and filter section (option)
- 5 Filters held in 316L stainless steel frames
- 6 Anti-corrosion protection available
- 7 Internal and external panels made of high-quality prepainted galvanised sheet steel
- 8 Cooling coils with integrated stainless steel drain pan and plastic droplet eliminator housed in an aluminium frame
- 9 Special panel design and frame detail eliminate the risk of condensation forming in the panels



Easy maintenance

- 10 Various inspection options with generously sized clear opening access doors
- 11 Completely smooth internal surfaces
- 12 Filters easily removable
- 13 Drain pan in the outside air inlet section and filter section equipped with drain (option)
- 14 Cooling coil drain pan fully accessible for cleaning/disinfection
- 15 Moisture eliminator after the cooling coil easily removable
- 16 Long-life fan and motor bearings
- 17 Fans removable from the side

High-quality built-in components

- 18 Special sorption heat recovery wheels for optimised recovery of heat, cold and humidity
- 19 High-efficiency centrifugal low-noise fans, mounted on vibration isolators with low transmission factor
- 20 Aluminium dampers with UV-resistant double nylon bearings
- 21 Skrim faced sound absorption splitters
- 22 Matched high-efficiency belt drives

FEATURES AND ADVANTAGES

Central station air handling unit range (based on a nominal filter loading of 1.11 m³/s)

Width \ Height	4	5	6	7	8	9	10	11	12	13	14
2.5	0.56	0.69	0.83								
4	1.11	1.39	1.67	1.81	2.22	2.50	2.78	3.06	3.33		
6	1.67	2.22	2.50	2.92	3.33	3.75	4.17	4.72	5.00	5.56	5.83
8			3.33	3.89	4.44	5.00	5.56	6.11	6.67	7.22	7.78
10					5.56	6.39	6.94	7.64	8.33	9.03	9.72
12						7.50	8.33	9.17	10.00	10.83	11.67
14									11.67	12.78	13.61
16										14.44	15.56
18											
20											

Width \ Height	15	16	17	18	19	20	21	22	23	24	25
2.5											
4											
6	6.39	6.67	7.22	7.50							
8	8.33	8.89	9.44	10.00	10.56	11.11	11.67	12.22	12.78	13.33	
10	10.56	11.11	11.94	12.50	13.33	13.89	14.72	15.28	16.11	16.67	17.50
12	12.50	13.33	14.44	15.00	15.83	16.67	17.50	18.33	19.17	20.00	20.83
14	14.72	15.56	16.67	17.50	18.61	19.44	20.56	21.39	22.50	23.33	24.44
16	16.67	17.78	18.89	20.00	21.11	22.22	23.33	24.44	25.56	26.67	27.78
18				22.50	23.89	25.00	26.39	27.50	28.89	30.00	31.39
20						27.78	29.17	30.56	31.94	33.33	34.72

Preferred range
 Combination with heat recovery
 Other sizes

Note: All air flow values are in m³/s. Larger unit sizes are possible.

Module dimension : 160 mm

External width : n x module plus 98 mm

External height : n x module plus 98 mm

Base frame height : 60 mm or 62 mm

Example : type 39HQ12.10

Width : 12 x 160 plus 98 = 2.018 mm

Height : 10 x 160 plus 98 = 1.698 mm

Nominal air flow : 8.33 m³/s